

■ LSCB0xx-GK
 - SIZE: W 500mm X H 500mm

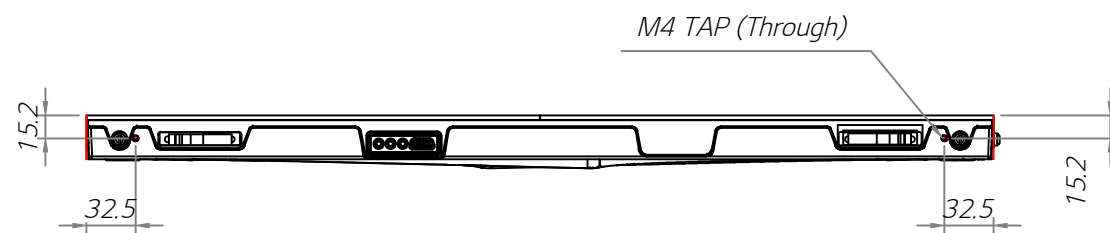
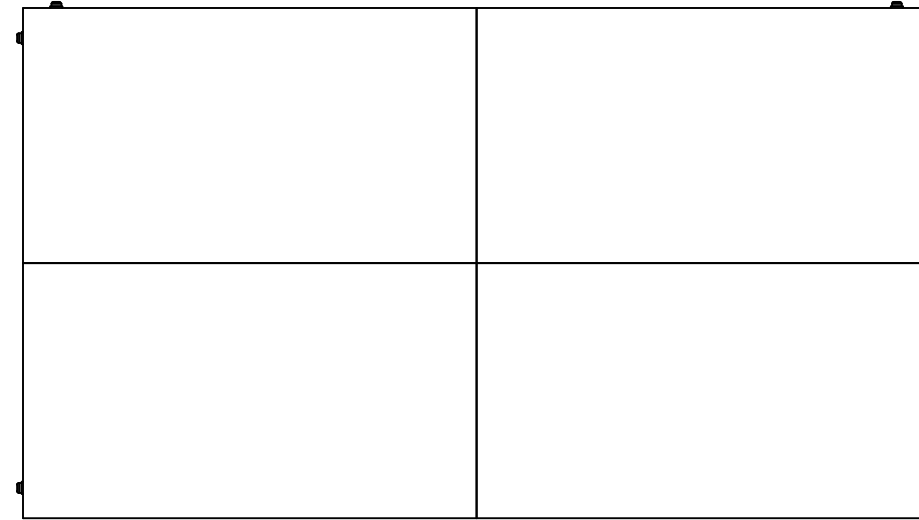
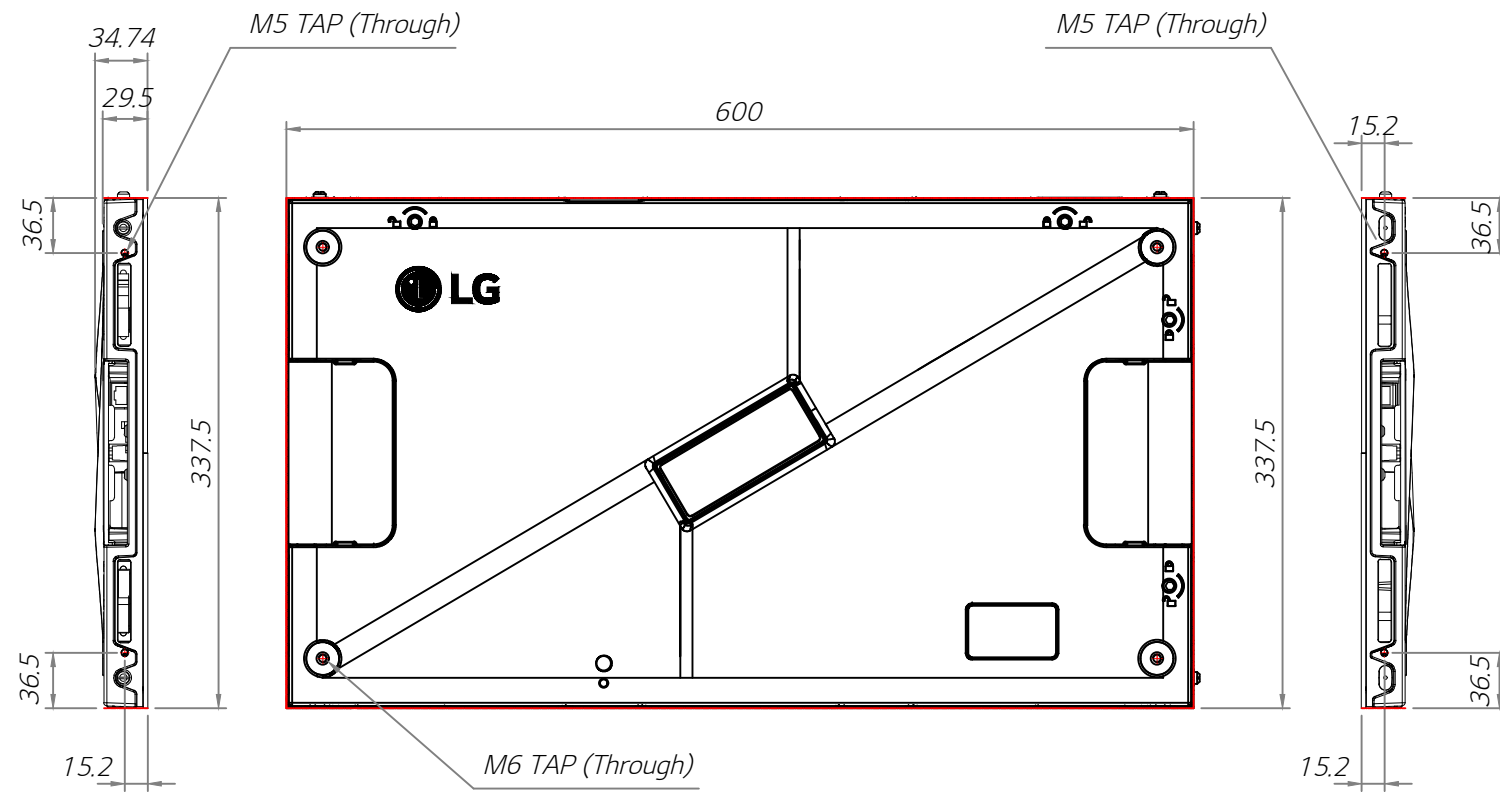
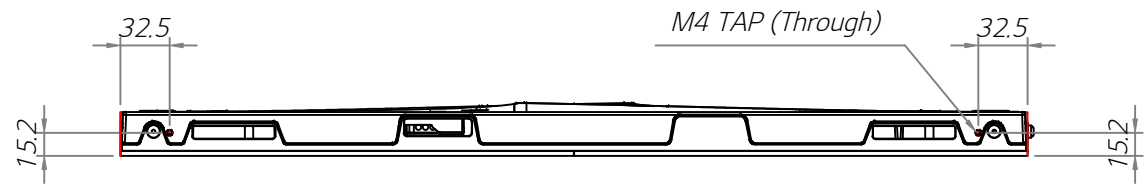


PROJECT TITLE

LED Screen

NOTE

1. This drawing is only for reference.
2. Specifications subject to change without notice.



△		
△		
△		
△		
△		
△		
△		
△		
△		
△		

REVISIONS DATE

DRAWN BY

DESIGNED BY

CHECKED BY

APPROVED BY

DRAWING TITLE
 Cabinet Elevation
 LSCB0xx-GK

MATERIAL

SCALE 1 / 5

DATE 2020. 03. .17.

SHEET NO. 001 REV. A

AS4200(2mm x 2mm)